

DEVIreg™ Touch



The **DEVIreg™ Touch** is an intuitive programmable timer thermostat used for controlling electrical floor heating elements. The thermostat is designed for flush mounting and can accept a range of floor temperature sensors.

The DEVIreg™ Touch is fast and intuitive to setup using the built-in wizard. It has an energy-saving program – including an optimum start/end control ensuring the desired temperature at the correct time and thereby reducing the heating costs.

Benefits:

- Big 2" touch screen
- Built-in setup wizard
- Easy and intuitive functionalities
- Adaptive PWM function
- Fits several single and multiple frames
- Fits several competitor NTC sensors
- Optional code setup
- Easy online troubleshooting

Standard compliance:

- EN/IEC 60730-1 (general)
- EN/IEC 60730-2-9 (thermostat)

Approvals:

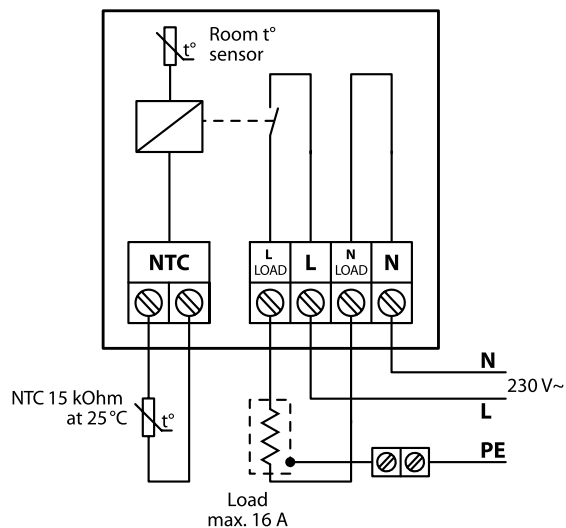


Type	Value
Operation voltage	220 V- 240V~ 50/60 Hz
Standby power consumption	max. 0.40 W
Relay: Resistive load Inductive load	16A / 3680W @ 230V Cos Φ = 0.3 max. 1A
Sensing unit	NTC 15 kΩ @ 25 °C, 3 m. (default), NTC 10 kΩ @ 25 °C, NTC 6.8 kΩ @ 25 °C, NTC 33 kΩ @ 25 °C, NTC 12 kΩ @ 25 °C, NTC 47 kΩ @ 25 °C
Regulation	PWM - Pulse Width Modulation
Ambient temperature	0 °C to 30 °C
Frost protection	5 °C to 9 °C (default 5 °C)
Temperature range	5 °C to 35 °C (room) 5 °C to 45 °C (floor)
Storage temperature	-25 °C to 60 °C, 90% RH non-condensing
Cable specification for connector terminals	Max: 1 x 4 mm ² or 2 x 2.5 mm ²
Ball pressure test temperature	75 °C
Pollution degree	2 (domestic use)
Controller type	1 B
Software class	A
IP class	21
Battery type or Name	Coin battery Manganese Lithium
Protection class	Class II -
Dimensions (H/W/D)	85 mm x 85 mm x 20-24 mm (in-wall depth: 22 mm)
Weight	115 g

Types: DEVIreg™ Touch

Product Code	Product name	Description
01-140F1064	DEVIreg™ Touch (Pure White - RAL 9010)	Flush Mounted Floor and/or Room Air temperature sensing thermostat (Supplied for fitting to a Euro Flush Box)
01-140F1071	DEVIreg™ Touch (Polar White - RAL 9016)	Flush Mounted Floor and/or Room Air temperature sensing thermostat (Supplied for fitting to a Euro Flush Box)
01-140F1069	DEVIreg™ Touch (Pure Black - RAL 9005)	Flush Mounted Floor and/or Room Air temperature sensing thermostat (Supplied for fitting to a Euro Flush Box)
Accessories		
08-AP	Adaptor Plate	Adaptor Plate to enable fitting to a Standard NZ Flush Box. Available in Pure white (RAL 9010)
08-1547	Euro Box (Metal)	Euro Flush Box for wall mounting thermostat as supplied
08-1548	Euro Box (Plastic)	Euro Flush Box for wall mounting thermostat as supplied

Connection scheme



Polar White



Pure Black



Pure White



Euro Box - Metal



Euro Box - Plastic



Adaptor Plate

